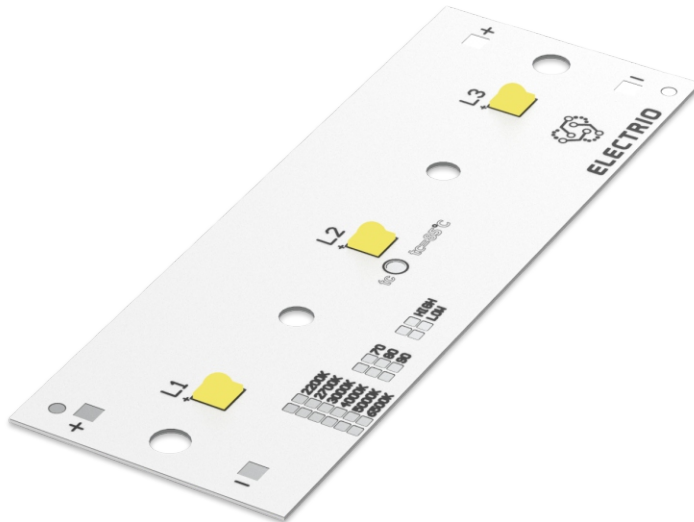


EL-84X30-0301-LH35

New Experience Of Lighting

- Lumileds Luxeon 3535 HL2X
- Constant Color, MacAdams Step 3
- Homogeneous illumination
- Optional PCB Material Selection



- Substrate:ALU/FR4/CEM1/CEM3
- PCB Thickness: 1.0/1.6 mm
- Copper Weight:35Um/70Um
- Surface Treatment:HASL/OSP
- Thermal Conductivity: 1W/1.2W/1.5W/2W
- Breakdown Voltage:2000V

Electrical Specification

Product Code	Colour	Luminous Flux TC:25°C Tj:85°C	Forward Voltage Flux Tj:85°C	Serial	Parallel	Power Consumption	Ef cacy	CRI
						TC:25°C Tj:85°C	TC: 25°C Tj:85°C	
	(k)	(lm)	(v)			(w)	(lm/w)	(Ra)
Operation Mode at 500 mA								
EL-84X30-0301-LH35-30-70	3000	761	8.61	3	1	4.31	176.56	70
EL-84X30-0301-LH35-40-70	4000	816	8.61	3	1	4.31	189.32	70
EL-84X30-0301-LH35-65-70	6500	792	8.61	3	1	4.31	183.75	70
Operation Mode at 700 mA								
EL-84X30-0301-LH35-30-70	3000	1020	8.73	3	1	6.11	166.93	70
EL-84X30-0301-LH35-40-70	4000	1086	8.73	3	1	6.11	177.74	70
EL-84X30-0301-LH35-65-70	6500	1065	8.73	3	1	6.11	174.30	70
Operation Mode at 1000 mA								
EL-84X30-0301-LH35-30-70	3000	1376	8.91	3	1	8.91	154.43	70
EL-84X30-0301-LH35-40-70	4000	1452	8.91	3	1	8.91	162.96	70
EL-84X30-0301-LH35-65-70	6500	1443	8.91	3	1	8.91	161.95	70

**These values are estimated.



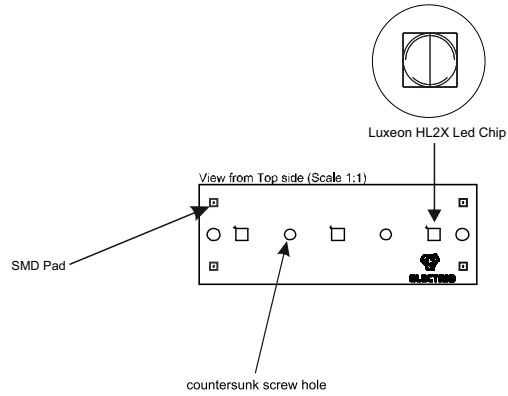
EL-84X30-0301-LH35

Mechanical Specification

New Experience Of Lighting

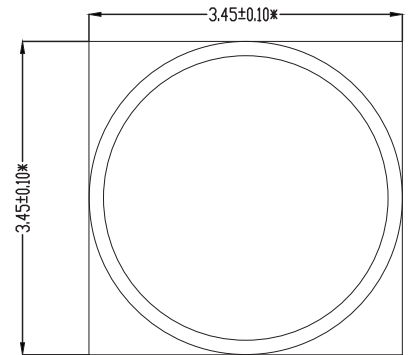
PCB Specification

- Length:84 mm
- Width:30 mm
- Height:3.865 mm
- Thickness of PCB: 1.6 mm

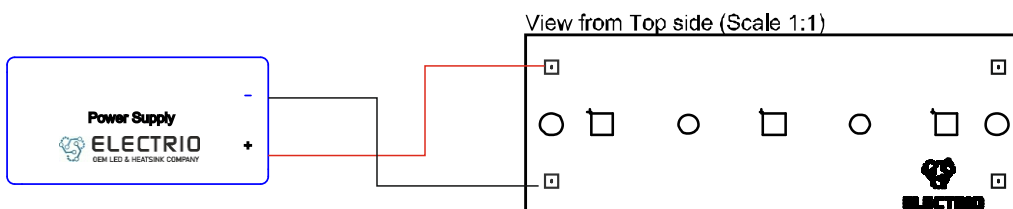


LEDs Specification

- CRI:70
- IF-Type:700 mA
- IF-Max:2000 mA
- Tj-Typ(sorting), Tj-Max:45°C-85°C



Connection Diagram

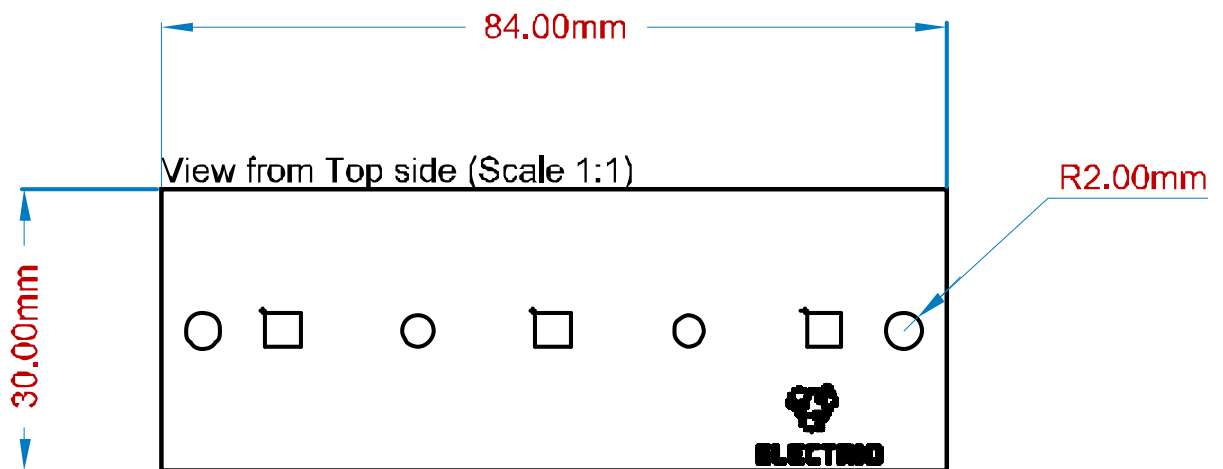


EL-84X30-0301-LH35

Mechanical Dimensions

New Experience Of Lighting

View from Front side (Scale 1:1)



View from Bottom side (Scale 1:1)

