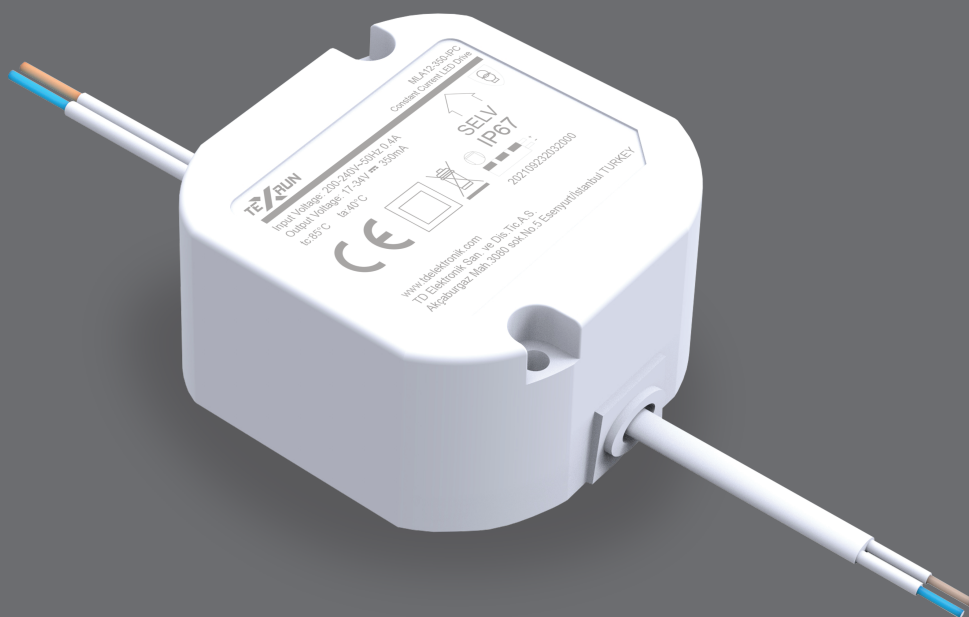




MLA12-350-IPC

Constant Current LED Driver

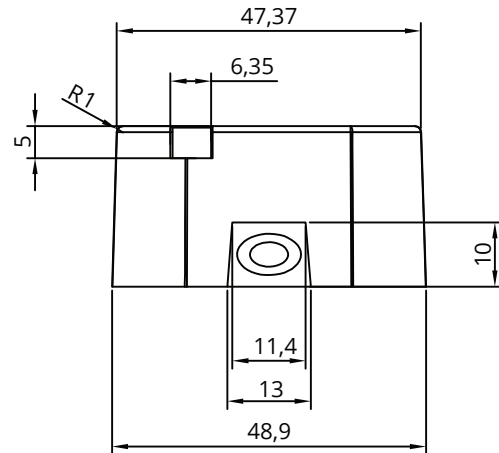
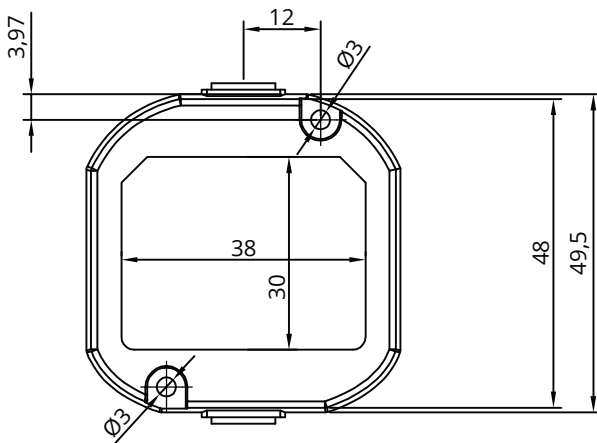


PRODUCT PHOTO



MECHANICAL DRAWINGS

AC Input: PVC 2*0.5mm² / 0.2M
DC Output: ul2468 22/2C / 0.2M



LABEL



PACKING

Outside Box: 40L*260W*300H
Quantity: 100PCS/CTN



ELECTRICAL SPECIFICATIONS

Item		Technical Norm
INPUT	Max. Output Wattage	12W
	Rated Input Voltage	200 - 240
	Range Of Input Voltage	198 - 264V AC
	Frequency (hz)	50Hz
	Power Factor	0.95
	Current	0.4A MAX. @ Full Load, 220 - 240V AC
	Start-up Time	<1S for ERP @ Full Load
	Inrush Current	NA
	Unload Power Consumption	≤0.5W
OUTPUT	Unload Voltage	45V max
	Load Voltage Rang	17 - 34V
	Constant Current	350 mA
	Constant Accuracy	±5% @ 220 - 240V AC
	Constant Regulation	≤5%@ Full Load
	Hold-up Time	NA
	Efficiency in Full Load	≥72.96%@ Full Load, 230V AC
	Ripple	NA
DIMMING	Dimmable Or Not	NA
	Dimmable Or Not	NA
	Dimming Current Range	NA
PROTECTION	Over Load Protection	Protection Type: Auto Restore
		Protection Type: Auto Restore
		Protection Type: Auto Restore
		Protection Type: Auto Restore
	Short Circuit Protection	Protection Type: Auto Restore
	Over Temperature Protection	Protection Type: Auto Restore
HI-POT	Input - Output (V.AC)	3000V /5mA/1min
	Input - FG (V.AC)	NA
	Output - FG (V.AC)	NA
ISOLATION RESISTANCE	Leakage Current	<0.5mA (230V AC)
	Input - Output (V.AC)	≥10MΩ @ 500V DC
	Input - FG (V.AC)	NA
	Output - FG (V.AC)	NA
ENVIRONMENT LIFE SPAN	Operating Temperature	-20°C...+50°C
	tc	85°C
	Storage Temperature	-20°C...+60°C
	Humidity	20%-90%RH
	Life time	> 30,000 h @ 50°C
FEATURE	HSF requirement	RoHS
	Leakage Current	<0.5mA (230V AC)
SEFETY & EMC	Approval	CE
	Safety Standards	EN 61347 -1 / EN61347 -2-13 / EN60598 -1 / EN60598 -2-6
	EMI	EN55015 / EN61000 -3-2 / Class C EN61000 -3-3 EN61547 ; EN61000 -4-2 8KV; 4KV;
	EMS	Performance Criteria B EN61000 -4-5 1000V ; Performance Criteria C

Note: All parameters NOT specially mentioned are measured at rated input or max rated input, and 25°C ambient temperature